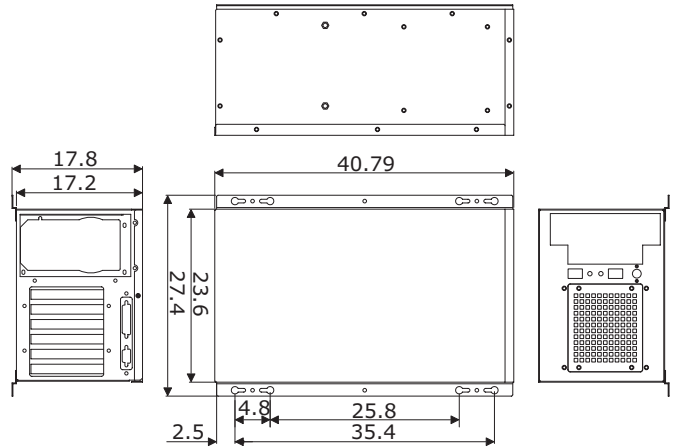




RC-161

Full-size Wallmount Chassis with 6-slot Backplane, 250W AT/ATX P/S
Provides PICMG1.3 Full-size Backplane

Industrial Chassis



Features

- ◆ 6-slot space for PICMG1.3 full-size or PICMG Bus backplane
- ◆ Provides 250W AT/ATX power supply
- ◆ Anti-shock crowbar for secured mounting of add-on card, two adjustable positions
- ◆ 1 x external 5.25" space, 1 x external 3.5" space, 1 x internal 3.5" space
- ◆ Provides 9cm ball bearing cooling fan x 1
- ◆ FCC/CE industrial Class A approval

Specifications

- Chassis**
6-slot full-size industrial chassis
- Drive Space**
External: 5.25" space x 1, 3.5" space x 1
Internal: 3.5" space x 1
- Thermal Solution**
9cm ball bearing cooling fan x 1
- Altitude**
15,000 feet
- Power Supply**
250W AT or ATX power supply
- Temperature**
0~+50°C (operating); 0~+70°C (storage)
- Humidity**
5~95%; non-condensing
- Safety Standard**
FCC/CE on chassis and FCC/CE/UL/TUV on power supply
- Dimensions (L x W x H)**
40.9 x 17.2 x 23.6 cm

Ordering Guide

- ◆ **RC-161WA-BP6S**
RC-161W Chassis w/HBP-6S B/P, ZKS-250AE AT P/S
- ◆ **RC-161WA-PS5S**
RC-161W Chassis w/HPS-5S B/P, ZKS-250AE AT P/S
- ◆ **RC-161WA-6S**
RC-161W Chassis w/HPCI-6S B/P, ZKS-250AE AT P/S
- ◆ **RC-161WB-PCIE6S**
RC-161W Chassis w/PCIE-6S B/P, ZKS-250WX ATX P/S
- ◆ **RC-161WB-PCIE6S1**
RC-161W Chassis w/PCIE-6S1 B/P, ZKS-250WX ATX P/S