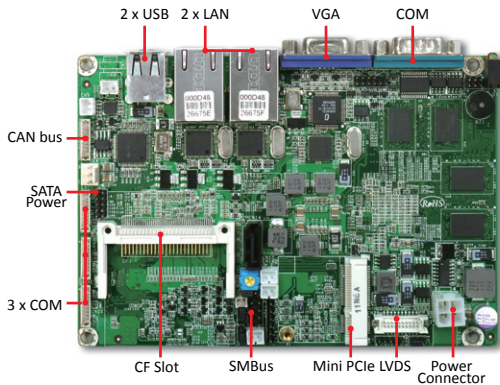


OXY5314A

PERFECTRON

3.5" SBC, Intel® Tunnel Creek E660T+Topcliff EG20T with DDR2 onboard Memory IC
Dual Display by VGA/LVDS, Dual Intel® GbE LAN, 4 x COM, 2 x USB, CAN Bus, and +12V DC-in



Main Features

- Intel® Tunnel Creek E660T CPU onboard
- Onboard 1GB DDR2 memory
- 4 x COM ports
- 2 x USB ports
- CAN Bus, SMBus
- +12V DC-in (optional for screw type DC jack)
- Wide operating temp. -20 to 70°C (-40 to 85°C optional)

► Specifications

System

CPU Type	Intel® Atom™ E660T 1.3 GHz onboard
Chipset	Intel® Topcliff EG20T
Memory Type	1GB DDR2 667/800MHz Memory IC onboard
BIOS	AMI™ BIOS
Super I/O	SMSC SCH3114
Watchdog	1-255 sec. or 1-255 min. software programmable, can generate system reset
Expansion Slot	1 x Mini PCIe slot (half-size)

Display

Chipset	Chrontel 7317B SDVO to VGA transmitter
VGA	Yes (Max. resolution 1280 x 1024 @ 70Hz)
LVDS	Supports single channel 18/24-bit LVDS
Dual Independent Displays Capability	LVDS + VGA

Audio

Codec	Realtek ALC886 High Definition Audio Codec *2W amplifier onboard
-------	---

Ethernet

Chipset	2 x Intel® 82574IT GbE LAN
WOL	Yes
Boot from LAN	Yes for PXE

Rear I/O

VGA	1
Ethernet	2 x RJ45
USB	2
COM	1 x RS232/422/485 with 5V/12V selection
Power Button	Optional

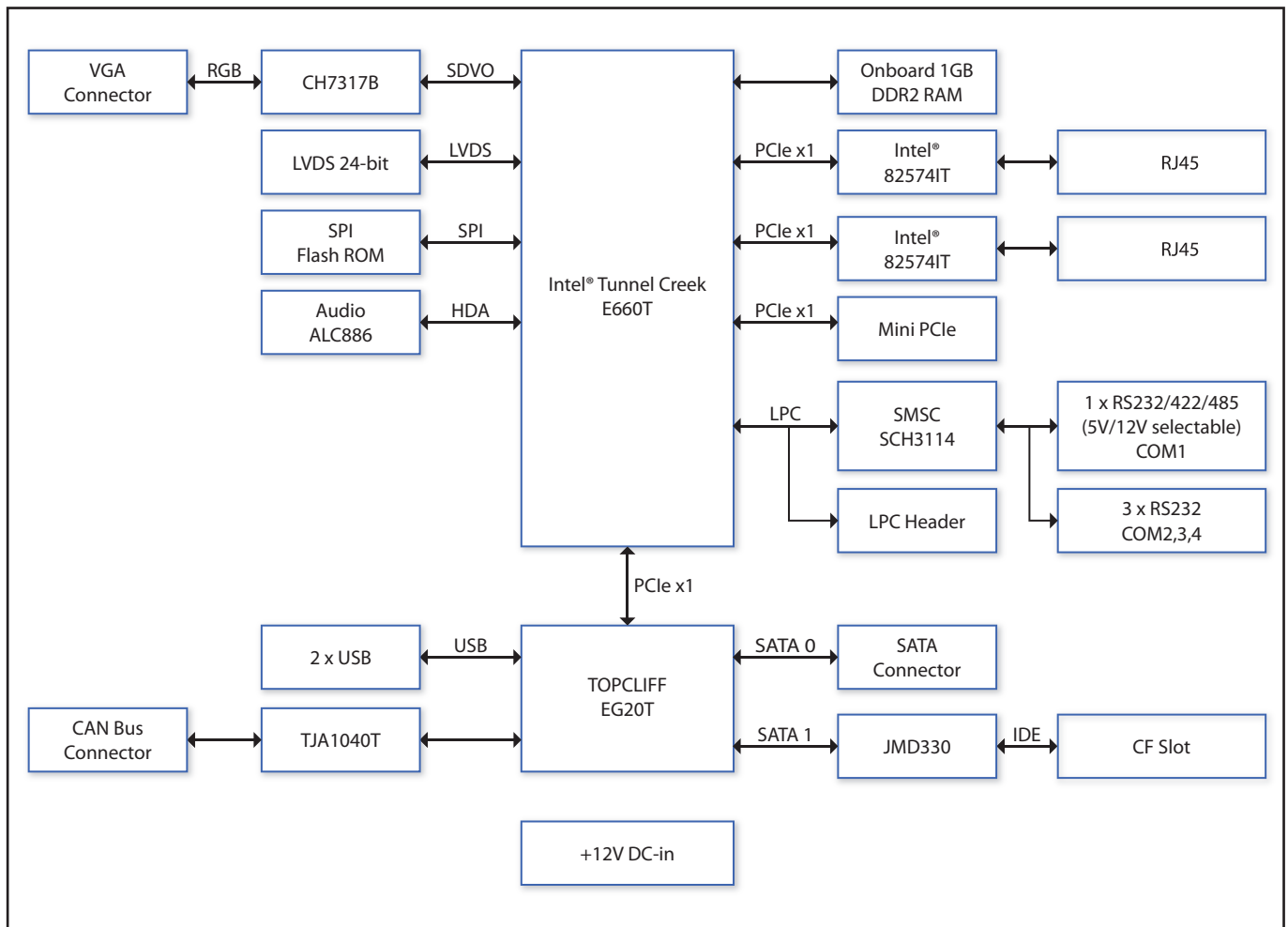
Internal I/O

SATA	1 x SATAII (3Gb/s) 1 x 3 pin power connector
SSD	1 x Compact Flash Typell socket
USB	2 ports on rear I/O
COM	4 x COM ports <ul style="list-style-type: none">• COM1 port supports RS232/422/485 with 5V/12V selection on rear I/O• Com2~4 ports support RS232 by 1 x 10 pin header
LVDS Connector	20 pin Hirose DF13 connector
CAN Bus	1 x 10 pin header
SMBus	1 x 2 pin header
Audio	1 x 6 pin header for Mic-in/Lin-in/Lin-out

Mechanical and Environment

Form Factor	3.5" SBC
Power Type	12V DC-in, 4pin ATX power connector AT/ATX mode support (optional for screw type DC jack)
Dimension	146mm x 102mm (5.7" x 4")
Operating Temp.	-20 to 70°C
Storage Temp.	-40 to 85°C
Relative Humidity	10% to 90%, non-condensing

► Block Diagram



► Packing List

- OXY5314A 3.5" SBC
- CD (Driver + user's manual)
- Cable kit (optional)

► Ordering Information

Modules

Model Number	Description
OXY5314-ET	3.5" SBC Intel® Tunnel Creek E660T+Topcliff EG20T with DDR2 onboard Memory Dual Display by VGA/LVDS, Dual GbE LAN, 4 x COM, 2 x USB, CAN Bus, and 12V DC-in (-20 to 70°C)
OXY5314-UT	3.5" SBC Intel® Tunnel Creek E660T+Topcliff EG20T with DDR2 onboard Memory Dual Display by VGA/LVDS, Dual GbE LAN, 4 x COM, 2 x USB, CAN Bus, and 12V DC-in (-40 to 85°C optional)