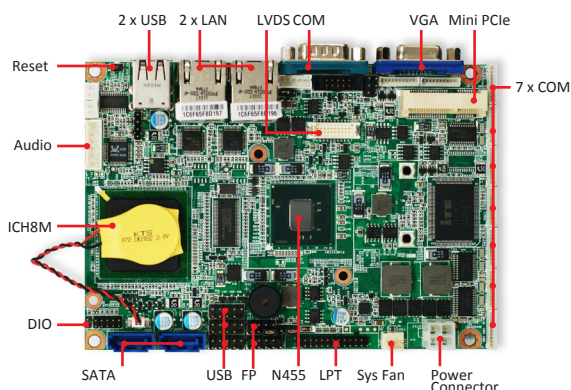


# OXY5315A

PERFECTRON

3.5" SBC Intel® Pineview N455 CPU with DDR3 SO-DIMM, Dual Display by VGA/LVDS, Dual GbE LAN, Audio, 8 x COM, 8 x USB and +12V DC-in



## Main Features

- Intel® Atom™ N455 CPU onboard
- Support 18/24-bit Single/Dual Channel LVDS (24-bit optional)
- 1 x Mini PCIe
- 8 x COM ports
- 8 x USB ports
- +12V DC-in (optional for terminal block connector)
- Wide operating temp. -20°C ~ +70°C (-40°C ~ +85°C optional)

## Specifications

### System

CPU Type	Intel® Atom™ N455 1.66GHz onboard
Chipset	Intel® ICH8M
Memory Type	1 x 204pin SO-DIMM DDR3 800 up to 2GB
BIOS	AMI® BIOS
Super I/O	ITE IT8781F
2nd Super I/O	Fintek F81216AD
Watchdog	1-255 sec. or 1-255 min. software programmable and can be generate system reset
Expansion Slot	1 x Mini PCIe Slot

### Display

Chipset	Integrated Intel® GMA3150 Graphic Core
Onboard VGA	Yes (Max. resolution 1400 x 1050 @ 60 Hz)
LVDS	support Single Channel 18bit LVDS(Max. resolution 1366 x 768)/Dual Channel 24bit LVDS (optional)
Dual Independent Displays Capability	VGA + LVDS

### Audio

Codec	Realtek ALC662 High Definition Audio Codec *2W amplifier onboard
-------	---

### Ethernet

Chipset	2 x RTL8111DL GbE LAN
WOL	Yes
Boot from LAN	Yes for PXE

### Rear I/O

VGA	1
Ethernet	2 x RJ45
USB 1.1/2.0	2
COM	1 x RS-232/422/485 with 5V/12V selection
Reset Button	1

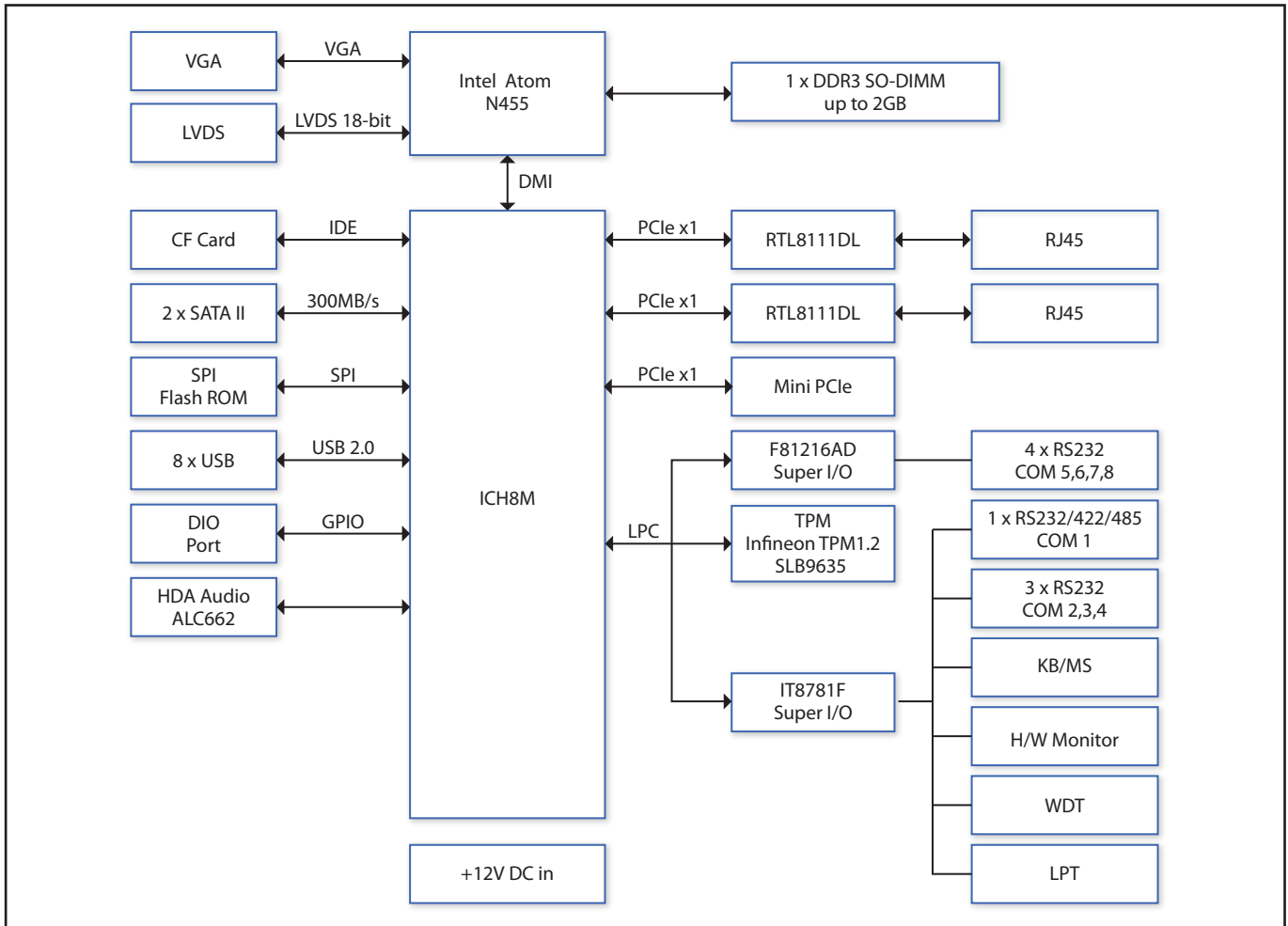
### I/O Interface

SATA	2 x SATAII (3Gb/s)
SSD	1 x Compact Flash Typell socket
USB	8 x USB 1.1/2.0 <ul style="list-style-type: none"><li>• 2 ports on rear I/O</li><li>• 6 ports by 2 x 5 pin header</li></ul>
COM	8 x COM port <ul style="list-style-type: none"><li>• COM1 port supports RS232/422/485 with 5V/12V selection on rear I/O</li><li>• COM2~COM8 ports by 2 x 5 pin supports RS232 header only</li><li>• COM2~COM4 with 5V/12V selection</li></ul>
Audio	2 x 3 pin header for Mic-in/Line-in/Line-out 2 x 2 pin header for Right and Left speaker out
LVDS	20 pin Hirose DF13 connector
PS/2	6 x pin header for PS/2 KB and mouse
DIO	4 in/4 out
Parallel port	2 x 13 pin header

### Mechanical and Environment

Form Factor	3.5" SBC
Power Type	+12V DC-in, 4-pins ATX power connector, AT/ ATX mode support (optional for terminal block connector)
Dimension	146mm x 102mm (5.7" x 4")
Operating Temp.	-20°C ~ +70°C
Storage Temp.	-20°C ~ +80°C
Relative Humidity	10% to 90%, non-condensing

## ► Block Diagram



## ► Packing list

- OXY5315A 3.5" SBC
- CD (Driver + user's manual)
- Cable Kit (optional)
- Heatsink Kit (optional)

## ► Ordering Information

### Modules

Model Number	Description
OXY5315A	3.5" SBC Intel® Pineview N455 CPU with DDR3 SO-DIMM, Dual Display by VGA/LVDS, Dual GbE LAN, Audio, 8 x COM, 8 x USB and +12V DC-in (0°C~+60°C)
OXY5315A-ET	3.5" SBC Intel® Pineview N455 CPU with DDR3 SO-DIMM, Dual Display by VGA/LVDS, Dual GbE LAN, Audio, 8 x COM, 8 x USB and +12V DC-in (-20°C~+70°C)
OXY5315A-UT	3.5" SBC Intel® Pineview N455 CPU with DDR3 SO-DIMM, Dual Display by VGA/LVDS, Dual GbE LAN, Audio, 8 x COM, 8 x USB and +12V DC-in (-40°C~+85°C optional)

### LVDS Kit

SK201	24-bit LVDS daughter board
-------	----------------------------

### Heatsink Kit

Passive Heatsink with thermal pad