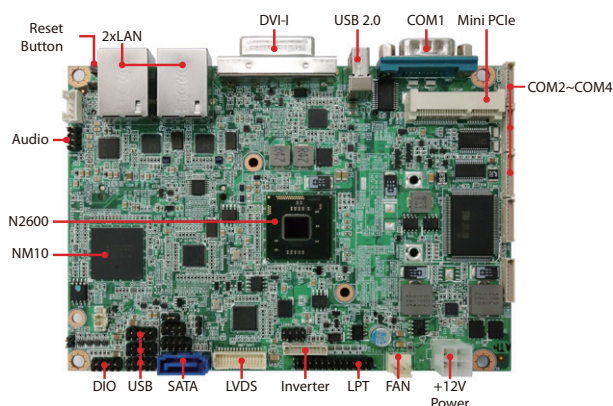


OXY5320A

PERFECTRON

3.5" SBC Intel® Cedarview N2600 with DDR3 SO-DIMM, Dual Display by LVDS/DVI-I, Dual GbE LAN, Audio, 4 x COM, 7 x USB and +12V DC in



Main Features

- Intel® Atom™ N2600 CPU onboard
- Support 18/24-bit Single/Dual channel LVDS
- 1 x Mini PCIe Slot
- 4 x COM ports
- 7 x USB ports
- +12V DC-in (optional for terminal block connector)
- Wide operating temp. -20°C ~ +70°C (-40°C ~ +85°C optional)

► Specifications

System

CPU Type	Intel® Atom™ N2600 1.60GHz onboard
Chipset	Intel® NM10
Memory Type	1 x 204 pin SO-DIMM DDR3 800/1066 up to 2GB
BIOS	AMI® BIOS
Super I/O	ITE IT8783F
TPM	Infinion TPM1.2 SLB9635 (optional)
Watchdog	Watchdog timeout can be programmable by Software from 1 ~ 255 sec. and from 1 ~ 255 min
Expansion Slot	1 x Mini PCIe Slot

Display

Chipset	Integrated Intel® GMA3600 VR Graphic core SGX545
DVI-I	Yes (Max. resolution 1920 x 1200 @60Hz)
LVDS	Supports 18/24-bit single/dual channel LVDS (Max. resolution 1600 x 1200 @60Hz)
Dual Independent Displays Capability	LVDS + DVI-I

Audio

Codec	Realtek ALC269 High Definition Audio Codec *2W amplifier onboard
-------	---------------------------------------------------------------------

Ethernet

Chipset	2 x RTL8111E GbE LAN
WOL	Yes
Boot from LAN	Yes for PXE

Rear I/O

DVI-I	1
Ethernet	2 x RJ45
USB 1.1/2.0	1
COM	1 x RS-232/422/485 with 5V/12V selection
Reset Button	1

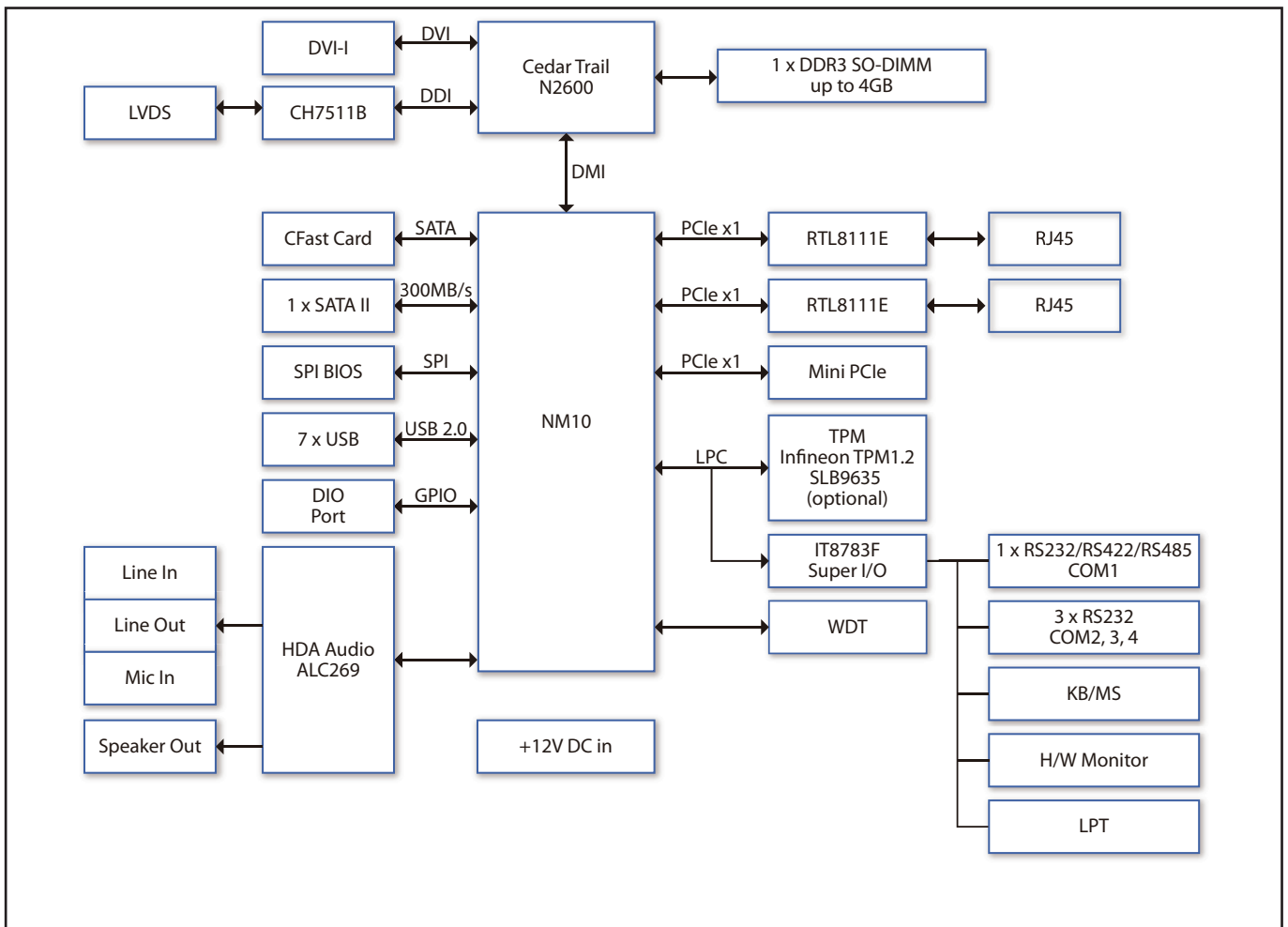
I/O Interface

SATA	1 x SATAII (3Gb/s)
SSD	1 x CFast Socket
USB 2.0	7 x USB 1.1/2.0 1 port on rear I/O 6 ports by 2 x 5 pin header
COM	4 x COM ports • COM1 port supports RS232/422/485 with 5V/12V selection on rear I/O • COM2~COM4 ports by 1x10 box header support RS232 only with 5V/12V selection
Audio	1 x 4 box header for Speak-out
LVDS	30 pin connector
PS/2	2 x 4 pin header
LPT	2 x 13 pin header
DIO	4 in/4 out

Mechanical and Environment

Form Factor	3.5" SBC
Power Type	+12V DC-in, 4-pin ATX power connector, AT/ATX mode support (optional for terminal block connector)
Dimension	146mm x 102mm (5.7" x 4")
Operating Temp.	-20°C ~ +70°C
Storage Temp.	-40°C ~ +80°C
Relative Humidity	10% to 90%, non-condensing

► Block Diagram



► Packing list

- OXY5320A 3.5" SBC
- CD (Driver + user's manual)
- Cable Kit (optional)

► Ordering Information

Modules

Model Number	Description
OXY5320A	3.5" SBC Intel® Cedarview N2600 with DDR3 SO-DIMM, Dual Display by LVDS/DVI-I, Dual GbE LAN, Audio, 4 x COM, 7 x USB and +12V DC in (0°C~+60°C)
OXY5320A-ET	3.5" SBC Intel® Cedarview N2600 with DDR3 SO-DIMM, Dual Display by LVDS/DVI-I, Dual GbE LAN, Audio, 4 x COM, 7 x USB and +12V DC in (-20°C~+70°C)
OXY5320A-UT	3.5" SBC Intel® Cedarview N2600 with DDR3 SO-DIMM, Dual Display by LVDS/DVI-I, Dual GbE LAN, Audio, 4 x COM, 7 x USB and +12V DC in (-40°C~+85°C optional)