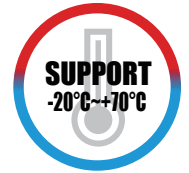


ROC114A

PERFECTRON

Fanless Embedded System with Intel® Atom™ E660T CPU onboard, VGA, Dual GbE LAN, 2 x COM, 1 x CAN Bus, 2 x USB and +12V DC in



Main Features

- Intel® E660T (512K Cache, 1.30 GHz) CPU onboard
- 1GB DDR2 667/800MHz Memory onboard
- Supports Compact Flash Typell socket
- 2 x COM ports (DB-9 male) with 5V/12V selection
- 1 x CAN BUS port
- Dual LAN ports
- Display by VGA
- 12V DC in (lockable)
- Wide Temperature -20°C ~ +70°C (-40°C ~ +70°C optional)
- Ultra Slim Design (H: 40mm)

► Specifications

System

CPU Type	Intel® Atom™ E660T 1.3GHz onboard
Chipset	Intel® EG20T
Memory Type	1GB DDR2 667/800MHz memory onboard
BIOS	AMI® BIOS
Expansion Slot	1 x Mini PCIe Slot (half-size)
Ethernet	2 x Intel® 82574IT GbE LAN
Storage	1 x Compact Flash Typell socket

Front I/O

USB	2
COM	1 x RS232/422/485 with 5V/12V selection
Power Button	Yes
Power LED	Yes
HDD LED	Yes
Ethernet	2 x RJ45
CAN Bus	1 x CAN Bus port
VGA	1

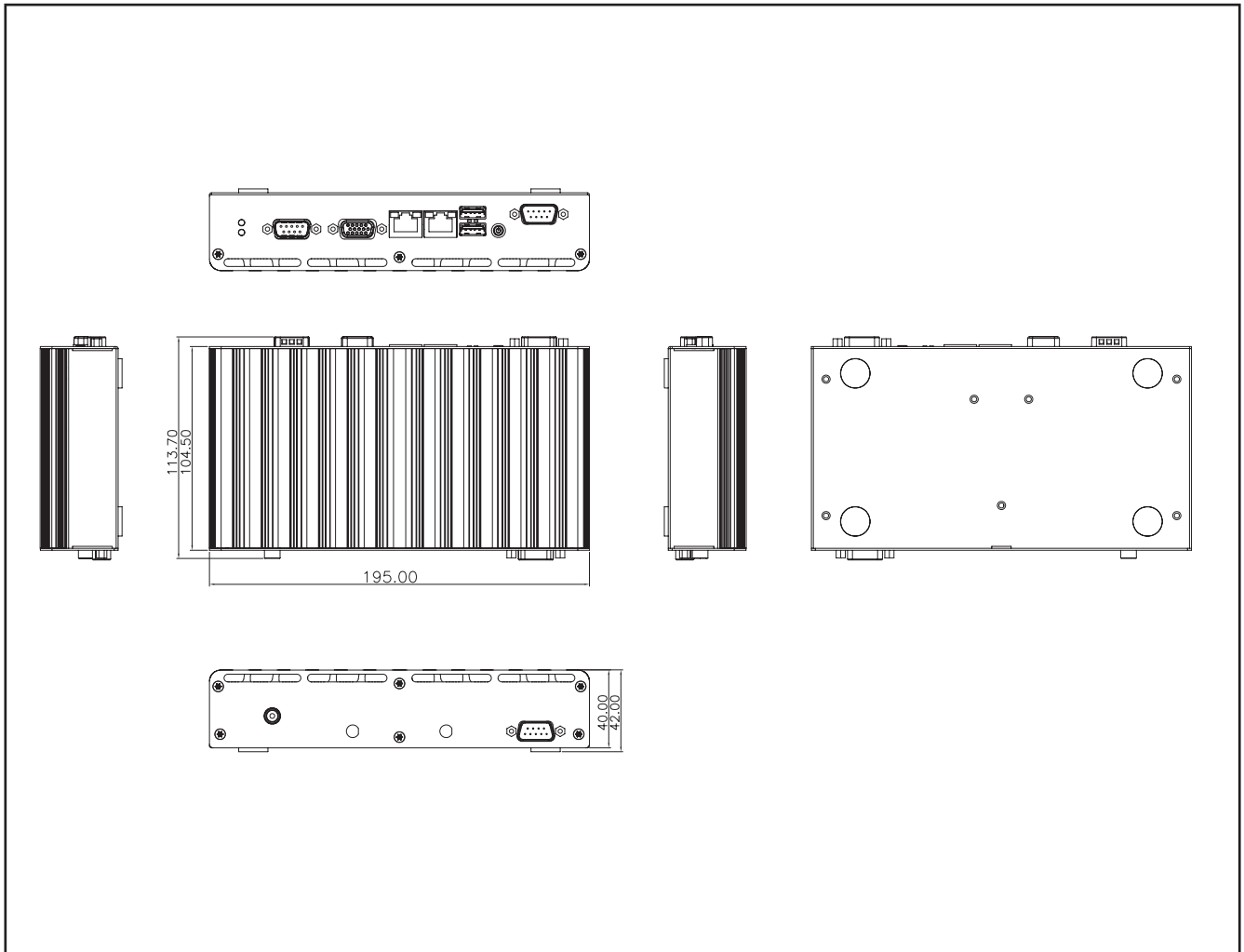
Rear I/O

COM	1 x RS232
Antenna	Reserved two antenna holes
Power Input	12V DC in

Mechanical & Environment

Power Requirements	12V DC in (lockable)
Dimension	195 x 105 x 40 mm (L x W x H)
Construction	Aluminum chassis with fanless design
Operating Temp.	-20°C ~ +70°C
Storage Temp.	-40°C ~ +80°C
Relative Humidity	10% to 95% (Non-Condensing)
Certifications	CE, FCC

► Mechanical Drawing



► Packing List

- ROC114A Fanless Embedded System
- Driver CD
- Power adapter w/o power cord (optional)
- Wall mount kit (optional)

► Ordering Information

Modules

Model Number	Description
ROC114A-ET	Fanless Embedded System with Intel® Atom™ E660T CPU onboard, VGA, Dual GbE LAN, 2 x COM, 1 x CAN Bus, 2 x USB and 12V DC in (-20°C ~ +70°C)
ROC114A-UT	Rock Box, Fanless Embedded System with Intel® Atom™ E660T CPU onboard, VGA, Dual GbE LAN, 2 x COM, 1 x CAN Bus, 2 x USB and 12V DC in (-40°C ~ +70°C)

Accessories

- Power adapter w/o power cord (optional)
- Wall mount kit (optional)

