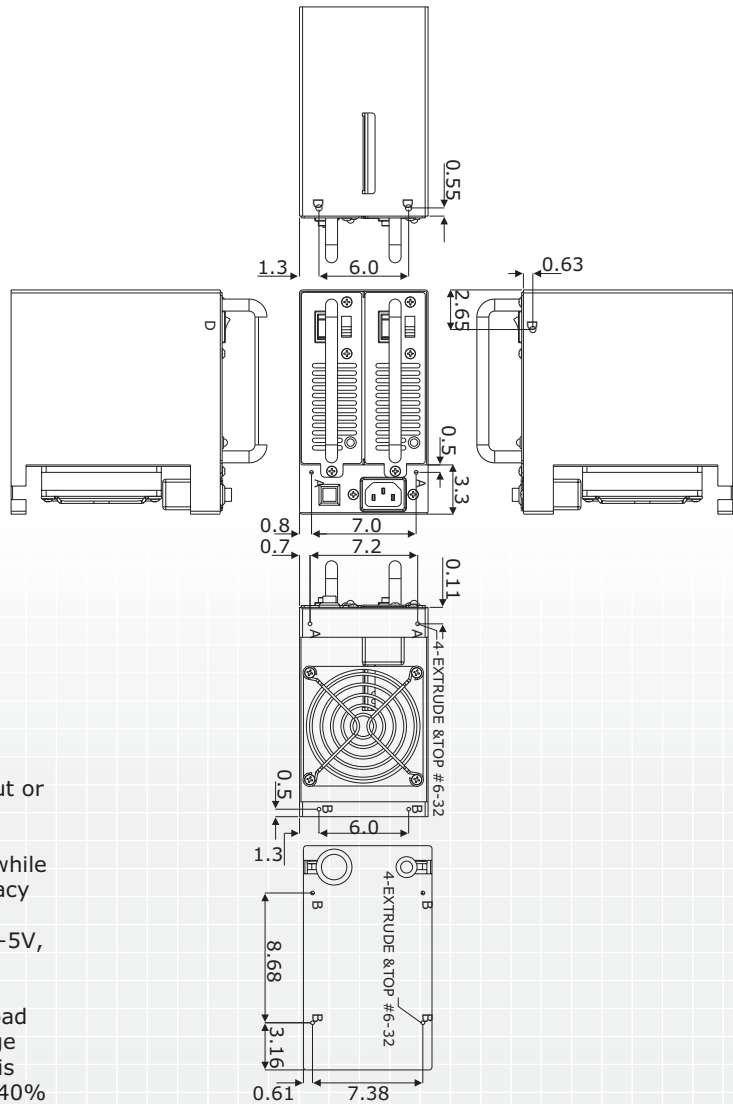


DTB-R232

230W Redundant Power Supply

Industrial Power Supply

Redundant



FEATURES

- * **Input Voltage:** 90~130VAC or 180~260VAC
- * **Input Frequency:** 47~63Hz
- * **Inrush Current:** Does not exceed 30A at 115VAC input or 60A AC input, at cold start 25°C
- * **Load Range:** When all outputs are in 60% rated load condition, the +5V output is set between 4.98~5.02V while all other outputs are within the specified voltage accuracy range
- * **Ripple And Noise:** Peak to peak ripple and noise for +5V, output is < 50mV, and < 100mV for +12V, -12V, -5V outputs at rated load, 115/230VAC
- * **Line Regulation:** < +/-1% for each output at rated load and +/-10% of 115VAC or 230VAC input voltage change
- * **Load Regulation:** The output voltage load regulation is less than the value on the table when subjected to +/-40% change on each output load from 60% rated load, and while all other outputs are at 60% rated load
- * **Hold Up Time:** > 16ms at 115VAC input and rated load measured from the last AC line charging pulse to the point when +5V drops to +4.75V
- * **Output Power:** The total DC continuous power is within 230W at < 30°C ambient temperature
- * **Power Good Signal:** When turned on, the signal goes high 100~500ms after all output DC voltages are within regulation limits
- * **Power Redundancy:** This power supply has power redundant capability
- * **Efficiency:** > 70% at rated load
- * **Altitude:** 10,000 feet
- * **Protection:** Built-in over voltage protection circuit shuts down the outputs to prevent damage. Trip point of crowbar circuit is between 5.7~7V; latch off mode against short circuit or over load conditions AC line ON/OFF cycle recovers unit from fault conditions
- * **Temperature:** 0~+40°C (operating); -40~+75°C (storage)
- * **Humidity:** 5~95%; non-condensing at 40°C (operating)
- * **Connectors:**
AC: One AC input socket
DC: O1 DIN 41612 C96
- * **Dimensions:** 14.0 x 15.0 x 8.62 cm +/-5mm tolerance
- * **MTBF:** 235,743 hrs.

SAFETY STANDARDS

- * **Safety:** UL 1950 / CSA 22.2 No.234 / VDE EN60950
- * **EMI:** FCC class B / EN55022B
- * **EMS:** Level 3 of IEC-801, 802, 803, 804

Output Voltage	Min. Load	Rated Load	Max. Load	Tolerance
+5V	1A	20A	25A	+/-0.1V
+12V	0.1A	10A	12A	+/-0.72V
-12V	0A	0.5A	1A	+/-0.6V
-5V	0A	0.5A	1A	+/-0.25V