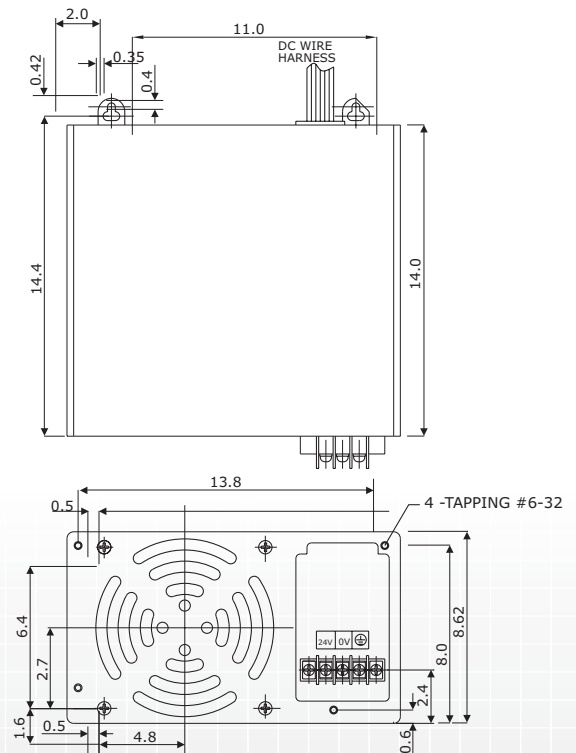
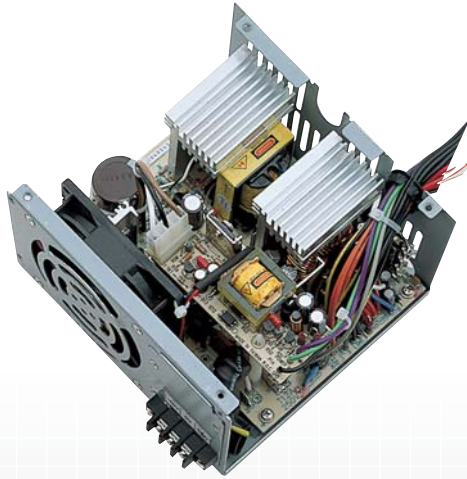


# BPW-830V

300W DC-DC ATX power supply  
Input Range: -40~-72VDC



Industrial Power Supply

DC-DC

## FEATURES

- \***Input Voltage:** -40~-72VDC
- \***Input Current:** Max. 10A at 48VDC
- \***Inrush Current:** < 10A at 48VDC input, cold start at 25°C
- \***Ripple And Noise:** Peak to peak ripple and noise is < 50mV for +5V and +3.3V outputs, < 100mV for other outputs when output voltage is at rated load
- \***Line Regulation:** < +/-1% for each output measured at rated load and -40~-72VDC input voltage variables
- \***Load Regulation:** Output voltage load regulation is less than the value on the table when each output load changes rated loads from +/-40%~60%, with all other outputs at 60% rated load
- \***Output Power:** Total DC continuous power is within 300W at < 40°C ambient temperature and -48VDC input voltage; max. total combined output power on +3.3V and +5V rails is 150W
- \***Efficiency:** 65% typical at nominal line and rated load
- \***Altitude:** 10,000 feet
- \***Protection**  
Input: Protection against wrong polarity when -48VDC input is inversely connected by mistake  
Output: Built-in over voltage protection circuit. Trip point of crowbar circuit is between 5.9~7.0V. Hiccup mode against short circuit or over load conditions auto recovery when faulty conditions are removed
- \***Temperature:** 0~+70°C (operating); -40~+75°C (storage)
- \***Humidity:** 5~95%; non-condensing at 40°C (operating)
- \***Connectors:**  
Input: Three positions terminal block  
DC Output: Output provides one AT type P8/P9 and two disk drive connector
- \***Dimensions:** 14.0 x 15.0 x 8.62 cm with +/-0.8mm and +/-0.4mm tolerance between mounting holes
- \***MTBF:** 135,584 hrs.

## SAFETY STANDARDS

- \***Safety:** UL 1950 / CSA 22.2 No.234 / VDE EN60950
- \***EMI:** FCC class B / EN55022B
- \***EMS:** Level 3 of IEC-801, 802, 803, 804

## ORDERING GUIDE

- ▶ **BPW-830V**  
300W DC-DC ATX P/S (-40~-72VDC)
- ▶ **BPW-830V-P4**  
300W DC-DC ATX P/S supports ATX2.03

PIN	Output
Red	+5V
Yellow	+12V
Brown	-12V
Grey	P.G.
Black	GND
White	-5V
Orange	+3.3V
Purple	+5Vsb
Green	PWR ON

PIN	Input
1	-48VDC
2	0V
3	GND

Output Voltage	Min. Load	Rated Load	Max. Load	Tolerance
+5V	2A	25A	30A	+/-0.2V
+12V	0.1A	10A	15A	+/-0.6V
-12V	0A	1A	2A	+/-0.6V
-5V	0A	1A	2A	+/-0.25V
+3.3V	0A	8A	15A	+/-0.135V
+5Vsb	0A	0.72A	1.2A	+/-0.25V