

# BPC-3022

Arestech

Fanless Embedded Box PC with Intel® Celeron® N2930 Processor and Multiple Video Outputs



## Features

- Intel® Celeron® Processor N2930 Quad-Core up to 1.83 GHz
- Compact Size and Light Weight
- 1 GbE, HD Audio, 5 USB, 1 COM, DVI-I, HDMI, 2 Mini PCIe (for WLAN & 3G module)
- 1 SATA HDD/SSD (2.5"), 1 mSATA

## Applications

- Barcode Scanning
- Embedded Control Systems
- Medical
- Digital Signage
- CIM (Computer Integrated Manufacturing)

## → Packing List

Description
1 x BPC-3022
1 x Driver CD
2 x Mounting Bracket
1 x DVI to VGA Dongle
1 x Power Adapter

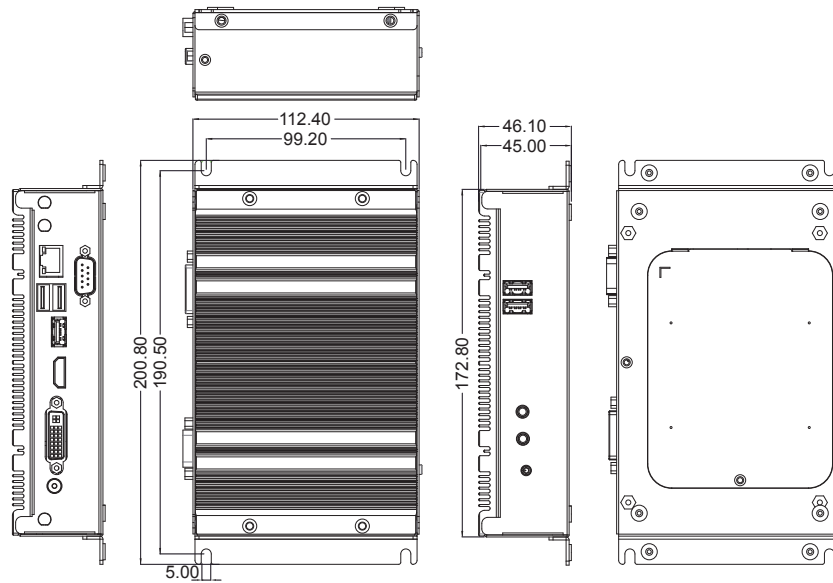
## → Optional Items

Part No.	Description
ACS-PS-US	Power Cable 3-pin, 180 cm, USA Type
ACS-PS-EU	Power Cable 3-pin, 180 cm, Euro Type
ACS-PS-CN	Power Cable 3-pin, 180 cm, China Type
AWD-WF001-01	wifi 802.11 b/g/n (1T1R) + 1 antenna, Half size
AWD-WF002-01	wifi 802.11 b/g/n + BT4.0(1T1R) + 1 antenna(dual band), Half size
AWD-3G001-00	3G(HSPA+) + 1 antenna, miniPCe Full size with SIM socket
AWD-4G001-00	4G(LTE) + 2 antenna, miniPCe Full size with SIM socket

## → Ordering Information

Part No.	Description
BPC-3022-A1	Intel® Celeron® N2930 1.83 GHz Processor, w/ HDMI, DVI, 5 USB, 1 GbE, 1 COM

## → Dimensions



## → Specifications

Model		BPC-3022
Processor System	CPU	Intel® Celeron® Processor N2930
	Frequency	Quad-core up to 1.83 GHz
	L2 Cache	2 MB
	System Chipset	N/A
	BIOS	UEFI
Memory	Technology	DDR3L 1333 MHz SDRAM (1.35 V only)
	Max. Capacity	8 GB
	Socket	1, 204-pin SO-DIMM
Display	Graphics Engine	Intel® HD Graphics
	DVI-I	Up to 1920 x 1080
	HDMI	Supports 1920 x 1080, Max data rate: up to 1.65 Gb/s, HDMI v1.3 up to 1080p
	Dual Display	HDMI, DVI-I (VGA output via DVI to VGA dongle)
I/O Interface	USB	1 USB 3.0, 4 USB 2.0
	Serial Port	1 COM (RS-232)
Ethernet	Controller	1 GbE LAN, Realtek RTL8111G, 10/100/1000 Mbps
Audio	Chipset	Realtek ALC662, High Definition Audio (HD)
	Connectors	Line out, Mic in
Expansion	Mini PCIe (Optional)	1 half-size slot / Wi-Fi module (Optional), 1 full-size slot (USB and mSATA signal) / 3G/LTE module (Optional)
Storage	SATA II	2.5" HDD / SSD (Max data transfer rate 300 MB/s)
	mSATA	1 mSATA shared with full-size Mini PCIe
Power	Power Type	AT / ATX
	Power Supply Voltage	Single 12 V DC input
	Power Consumption (Typical)	0.72 A @ 12 V (8.64 W)
	Power Consumption (Max)	1.38 A @ 12 V (15.8 W)
	DC Connector Type	DC Jack
Environment	Operational	-20~60° C (-4~140° F) w/ 2.5" SSD (Humidity: 60° C @ 80% RH Non-condensing)
	Non-Operational	-40~85° C (-40~185° F) w/ 2.5" SSD (Humidity: 60° C @ 80% RH Non-condensing)
	Vibration	5 Grms, IEC 60068-2-64, random, 5~500 Hz, 1 Oct/min., 1hr/axis, x, y, z 3 axes (w/ SSD) 1 Grms, IEC 60068-2-64, random, 5~500 Hz, 1 Oct/min., 1hr/axis, x, y, z 3 axes (w/ 2.5" HDD)
	Shock	50 G, IEC 60068-2-27, half sine, 11 ms duration (w/ SSD only) 20 G, IEC 60068-2-27, half sine, 11 ms duration (w/ 2.5" HDD)
Certificate	Certification	CE, FCC Class A, CCC
General	Dimensions (W x H x D)	172.8 x 46.1 x 112.4 mm (6.80" x 1.81" x 4.43")
	Weight	0.91 kg (2.0 lb)
	Operating System	Windows 7/8.1/10, WES7-E/P, WE8S, Ubuntu 14.04