

DM100

Intel Q87 Fanless System with Haswell Core i7/ i5/ i3 Processor,
9V~ 24V DC-In, Extended Temperature -20~ +60°C



KEY FEATURE

- Intel® 4th generation Haswell Q87
- Support Intel® 4th generation Core™ i7/i5/i3 processor
- 2 x DDR3 SO-DIMM up to 16 GB
- Display by DVI/ HDMI
- Supports 1x 2.5" SATA HDD/SSD
- 6 x USB 3.0, 4 x USB 2.0
- 5x COM ports
- Dual GbE LAN ports
- 9V~24V DC-In

it's perfect!

DM100

PERFECTRON

Intel Q87 Fanless System with Haswell Core i7/ i5/ i3 Processor, 9V~ 24V DC-In, Extended Temperature -20~ +60°C



Main Features

- Intel® 4th generation Haswell Q87
- Support Intel® 4th generation Core™ i7/i5/i3 processor
- 2 x DDR3 SO-DIMM up to 16 GB
- Display by DVI/ HDMI
- Supports 1x 2.5" SATA HDD/SSD
- 6 x USB 3.0, 4 x USB 2.0
- 5x COM ports
- Dual GbE LAN ports
- 9~24V DC-In

► Specification

System

CPU Type	Intel® Haswell / Haswell-Refresh LGA1150 CPU Socket Core™ i7-4770TE 2.3 GHz (8M Cache, 45W) Core™ i5-4570TE 2.7 GHz (4M Cache, 35W) Core™ i3-4330TE 2.4 GHz (4M Cache, 35W)
Chipset	Intel® Q87
Memory Type	2 x 204-pin SO-DIMM DDR3 1333/1600 MHz up to 16 GB
Storage Device	1 x 2.5" SATA HDD/SSD

Rear I/O

USB	4x USB 3.0
COM	2x RS232, 1x RS232/422/485
HDMI	1
DVI-I	1
Audio	Line out, MIC in
DC-Jack	1

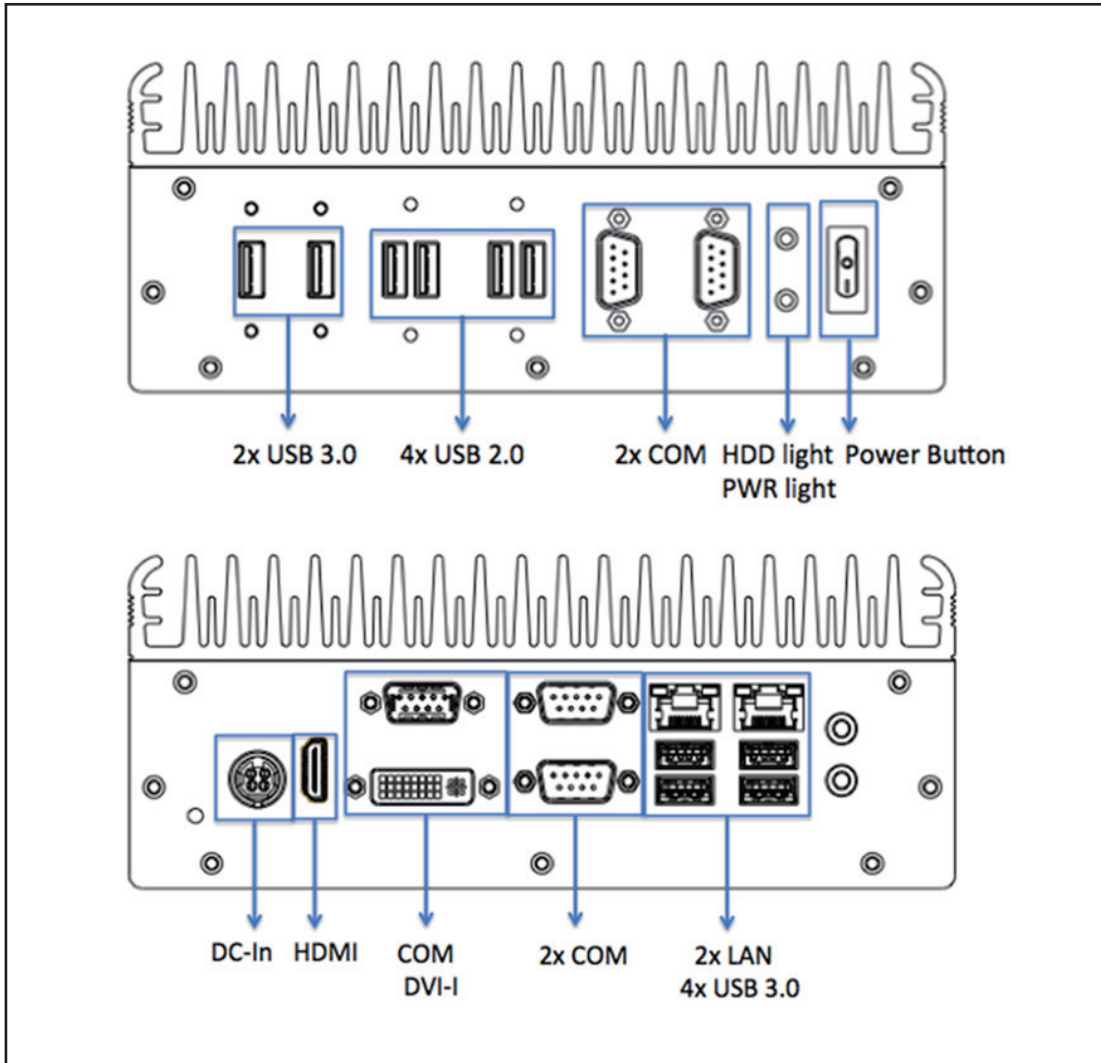
Front I/O

Power Button	Yes
Power LED	Yes
Power HDD	Yes
USB	2X USB 3.0, 4x USB 2.0
COM	2X RS232

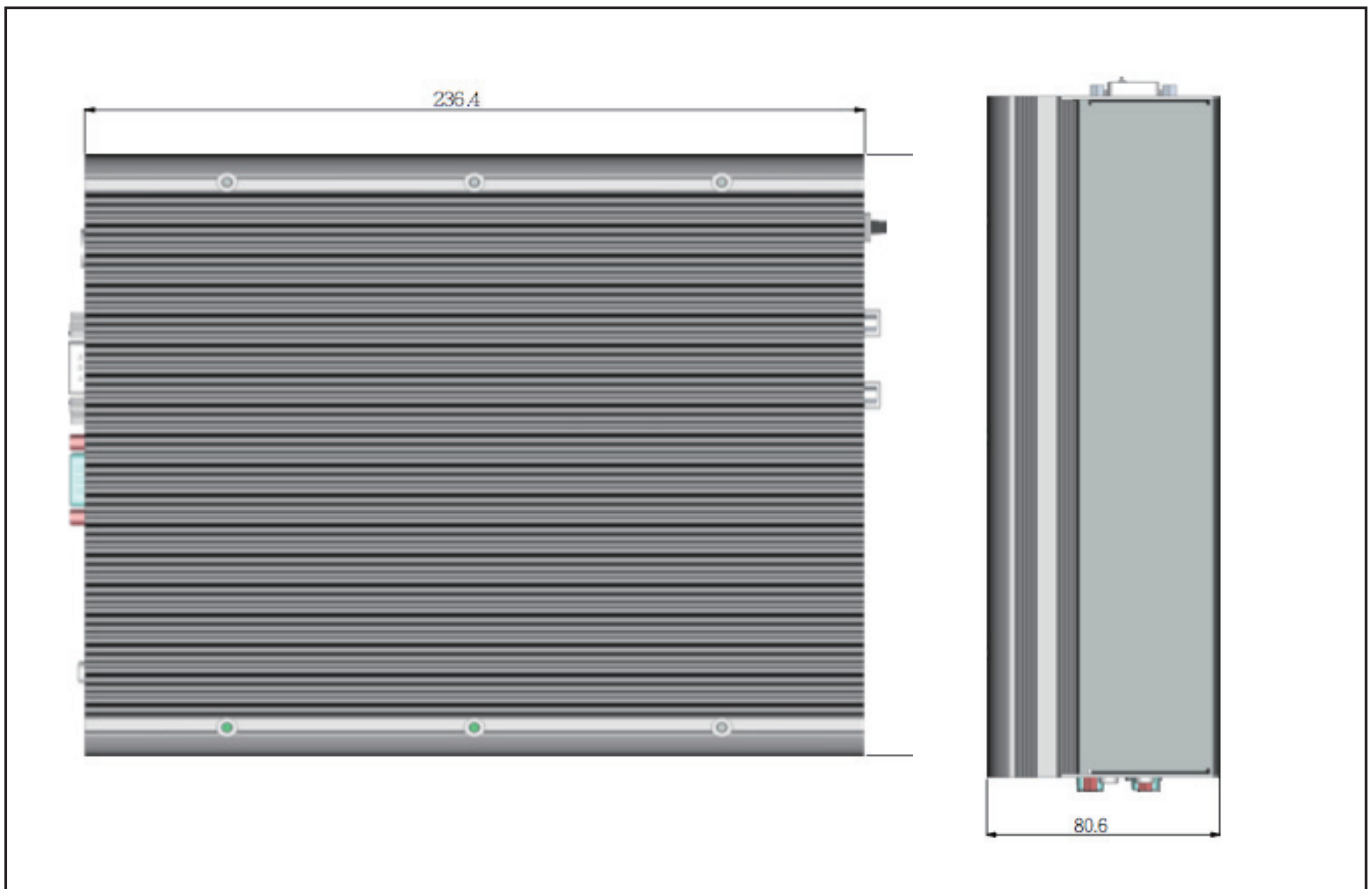
Mechanical and Environment

Power Requirement	9V to 24V DC-in
Dimension	236x200x81 mm
Operating Temperature	-20~ +60°C
Relative Humidity	5% to 95%, non-condensing

► **Appearance**



► **Dimension**



► **Packing list**

DM100 Fanless System

Driver CD

► **Ordering Information**

Modules

Model Number	Description
DM100	Intel Q87 Fanless Rugged System with Intel Core I Processor, 9V~24V DC-in, Extended Temperature -20~ +60°C

► **Optional Accessories**

Power Adapter

19V, 120W, AC/DC power adapter w/o power cord