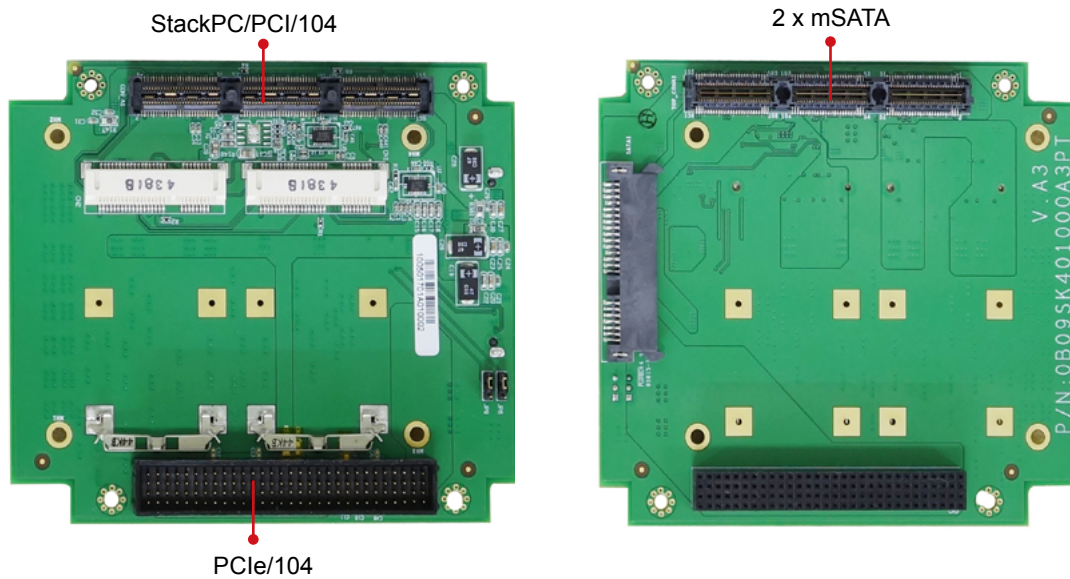


PCIe/104 (StackPC)SSD/mSATA Storage Carrier



► Product Overview

SK401 is a PCIe/104 (StackPC) peripheral module designed for stacking system, expanding extra storage. The storage carrier can support either with two mSATA modules or one mSATA with one 2.5" SSD which can be stacked with other PCI/104 Express, PCIe/104, PCI/104 and StackPC modules. The mSATA signal is transferred by PCIe/104 connector, however the board itself also carries PCIe/104 interface to cater different expansion slot and create another stackable criteria.

The storage module goes with standard mSATA ports which can replace any other mSATA storage devices. Combining with mSATA SSD modules can directly expand larger capacity to reinforce storage and performance. SK401 provides the power to 2.5" SSD which allows the users to assemble easily with embedded system. SK401 can not only be available as an independent mSATA SSD carrier but also as a complete storage solution.

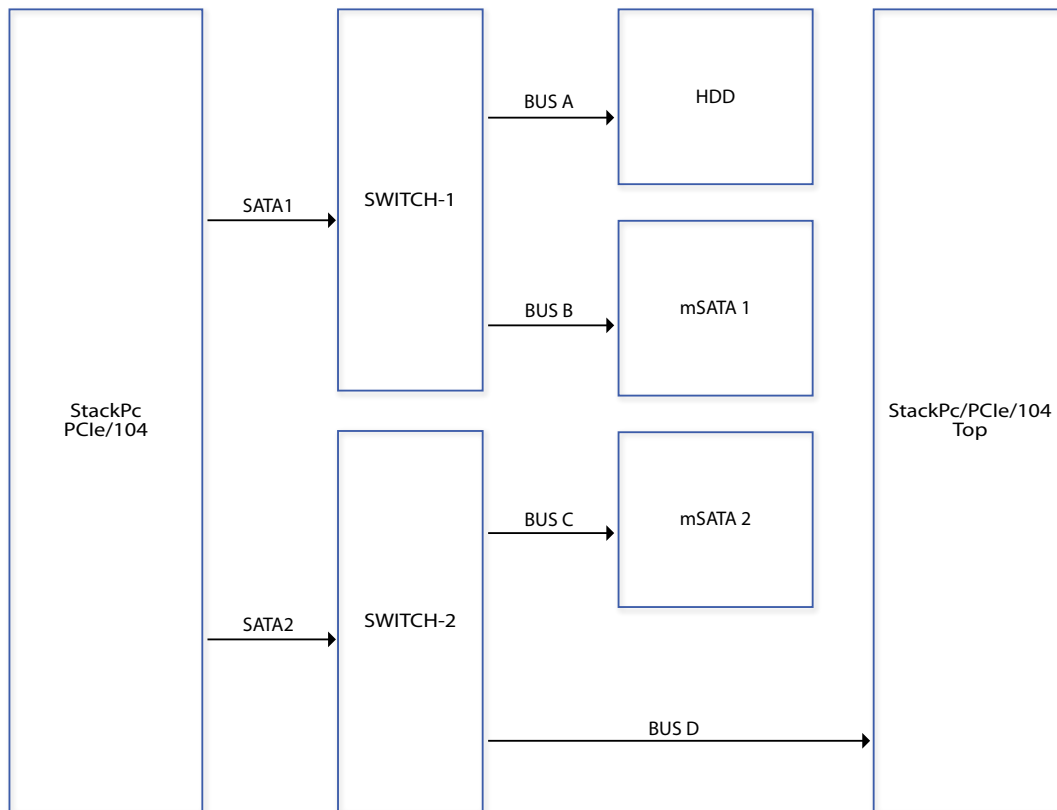
► Main Features

- StackPC form factor
- PCIe/104 stackable bus structure
- Supports 1 x 2.5" SSD
- Supports 2 x mSATA SSD slot, compatible with JEDEC MO-300B
- SATAII interface supports 1.5Gbps/3.0Gbps
- Reserve PCIe/104 connector for different stacking criteria
- Extended temperature -40 to 85°C

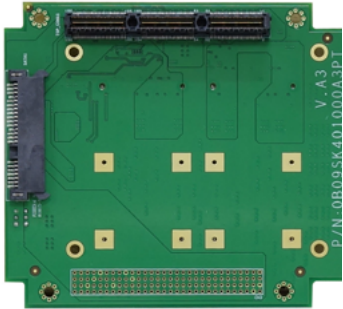
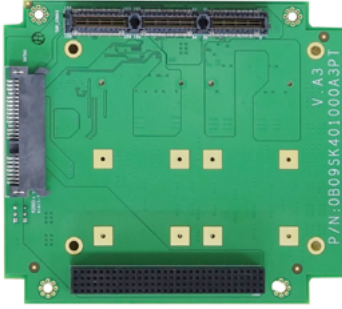
► Specifications

Storage Capacity	4GB to 512GB
Flash Type	SLC/ MLC/ iSLC
Host Interface	PCIe/104 bus (Type2) (PCI/104 bus is also available for different stacking criteria)
SSD Slots	1 x 2.5" SSD, 2 x mSATA
Cable-free	SATA signals from PCIe/104
Operating Temperature	Extended Temperature -40 to 85°C
Dimension	95 x 109mm

► **Block Diagram**



► **Ordering Information**

SK401-S	SK401-P
	
<p>Only the PCIe/104 stackable connectors installed, Extended temp. -40°C to 85°C</p>	<p>Both PCIe/104 and PCI/104 stackable connectors installed, Extended temp. -40°C to 85°C</p>