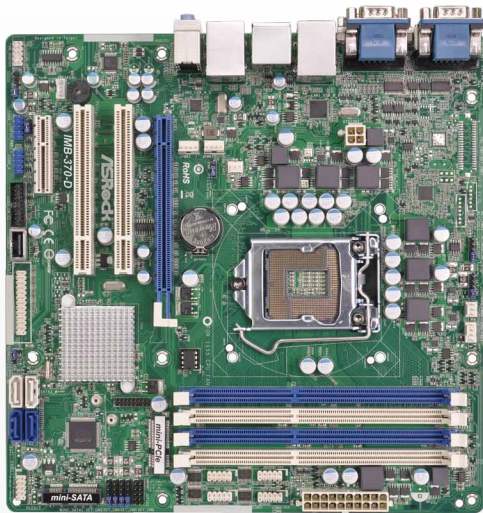


IMB-370-D

Micro ATX Motherboard



Spotlight Features

- Socket LGA1155 for Intel Core i7/i5/i3/Celeron (Ivy Bridge and Sandy Bridge)
- Intel® Q77 Express Chipset
- Integrated Intel® HD Graphics Built-in Visuals
- Supports DDR3 1600MHz, 4 x Long-DIMM, up to 32GB system memory
- 2 x COM (RS-232/422/485), 4 x COM (RS-232)
- 1 x D-Sub, 1 x HDMI, 1 x Dual Channel 24-bit DisplayPort
- 2 x USB 3.0, 8 x USB 2.0, 2 x SATA3, 2 x SATA2
- 2 x PCI, 1 x Mini-PCIe, 1 x mSATA, 1 x PCIe x16, 1 x PCIe x4
- Gigabit LAN : 1 x Intel 82579LM, 1 x Intel 82583V
- 1 x TPM Header

Specifications

Processor System	
Dimension	Micro-ATX (9.6-in x 9.6-in)
CPU	Socket LGA1155 for Intel Core i7/i5/i3/Celeron (Sandy Bridge and Ivy Bridge)
Core Number	(By CPU, Max 4)
Max Speed	(By CPU)
L3 Cache	(By CPU)
Chipset	Q77
BIOS	UEFI

Expansion Slot	
PCI	2
Mini-PCIe	1 (Half Size)
mSATA	1 (with USB 2.0)
PCIe	1 (x16) (IVY Bridge: Gen3; Sandy Bridge: Gen2)+ 1 (x4)
CFAST Card Socket	0

Memory	
Technology	Dual Channel DDR3 1066/1333/1600 MHz SDRAM
Max.	32GB
Socket	4 x Long DIMM

Graphics	
Controller	Intel HD Graphics (By CPU)
VRAM	Shared Memory
VGA	No
LVDS	No
HDMI	Supports HDMI 1.4a, max resolution 1920 x 1200
DVI	Supports max resolution 1920 x 1200
Display Port	Supports max resolution 2560x1600
Multi Display	Yes

Ethernet	
Interface	10/100/1000 Mbps
Controller	GbE LAN1: Intel 82583V, LAN2: Intel 82579LM
Connector	2 x RJ-45

SATA	
Max Data Transfer Rate	2 x SATA2 (3.0Gb/s), 2 x SATA3 (6.0Gb/s), Supports RAID 0/1/5

Rear I/O	
VGA	0
HDMI	1
DVI-I/D	1 (DVI-I)
Display Port	1
Ethernet	2
USB	6 (4 x USB 2.0 compliant, 2 x USB 3.0 compliant)
Audio	3 (Mic-In, Line-Out, Line-In)
Serial	2 (RS-232/422/485)
PS/2	1 (Combo)

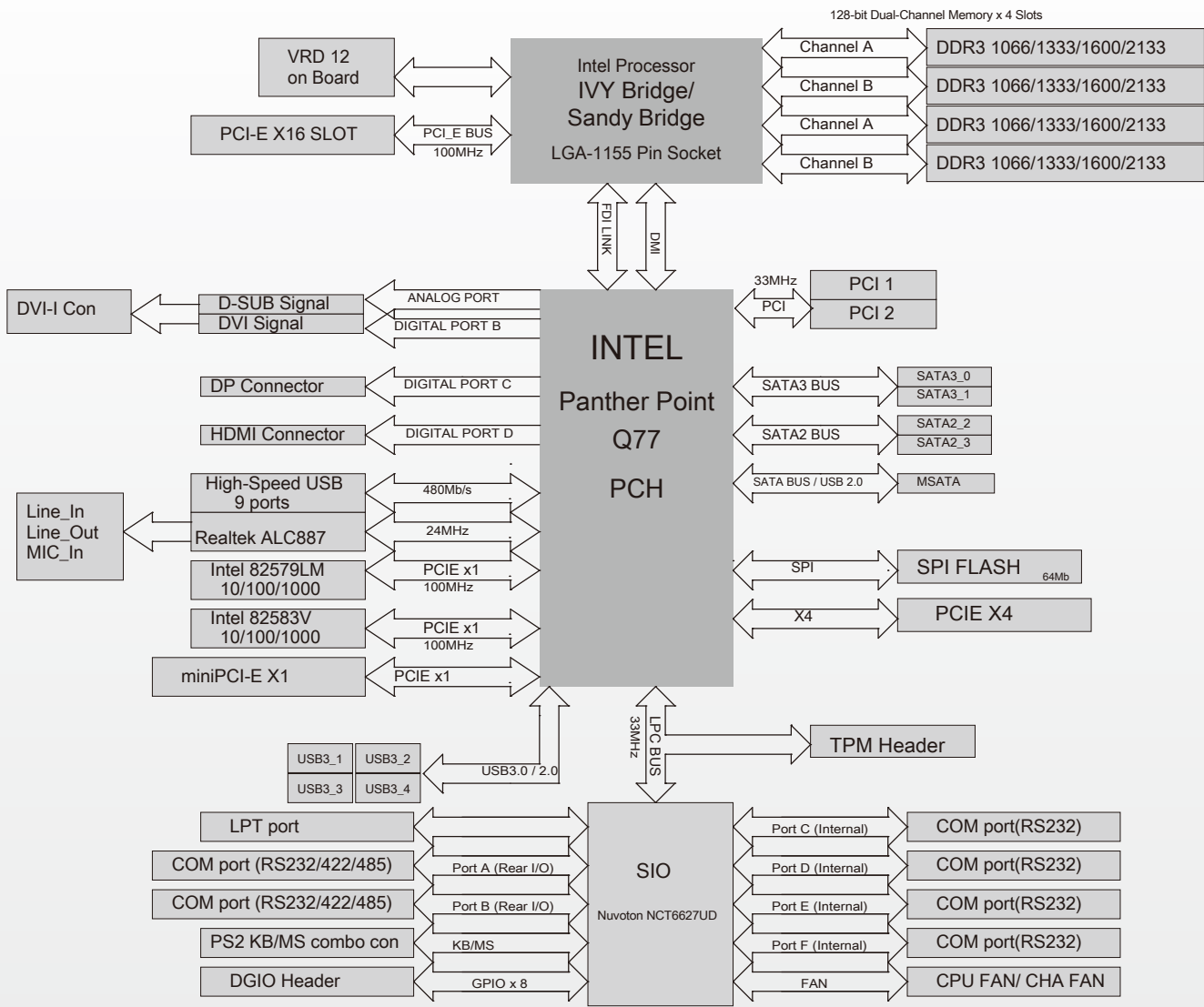
Internal Connector	
USB	6 (4 x USB 2.0 compliant, 2 x USB 3.0 compliant) 1 Vertical Type A USB Connector
LVDS/Inverter	0
VGA	0
Serial	4 (RS-232)
SATA	2 x SATA2 (3.0Gb/s), 2 x SATA3 (6.0Gb/s), Supports RAID 0/1/5/10
m-SATA	1
Mini-PCIe	1
Parallel	1
IrDA	0
GPIO	4 x GPI + 4 x GPO
SATA PWR Output Con	2
Speaker Header	1

Watchdog Timer	
Output	Output from super I/O to drag RESETCON#
Interval	256 Segments, 0,1,2...255 Sec/Min

Power Requirements	
Input PWR	ATX PWR (4+20 pin)
Power On	AT/ATX Supported AT : Directly PWR on as power input ready ATX : Press button to PWR on after power input ready

Environment	
Operating Temperature	0°C – 60°C

Board Diagram



IPC Motherboards Focused Markets

ASRock IMB solutions can be widely used for industrial applications, such as process control, data acquisition, and so on. IMB-PCs are typically panel mounted and often incorporate touch screens for user interaction.

