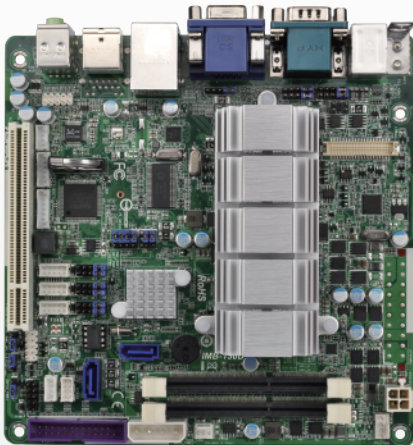


IMB-130

Mini-ITX Motherboard



Spotlight Features

- Intel® Dual-Core Atom™ CedarView Processor D2550/N2600/N2800
- Intel® NM10 Express Chipset
- Integrated Intel® PowerVR SGX545, DirectX 9.0, Pixel Shader 3.0
- Supports DDR3 1066MHz, 2 x SO-DIMM, up to 4GB system memory
- 1 x D-Sub, 1 x HDMI, 1 x Dual Channel 24-bit LVDS
- 7 x USB 2.0, 2 x SATA2
- 1 x PCI, 1 x mini-PCIe
- Gigabit LAN : 1 x Realtek RTL8111E-VL

Specifications

| Processor System | |
|------------------------|---|
| Dimension | Mini-ITX (6.7-in x 6.7-in) |
| CPU | Intel® Dual-Core Atom™ CedarView Processor D2550/N2600/N2800 Supports Hyper-Threading Technology |
| Core Number | 2 |
| Max Speed | D2550/N2800: 1.86 GHz, N2600: 1.6GHz |
| L3 Cache | N/A |
| Chipset | NM10 |
| BIOS | UEFI |
| Expansion Slot | |
| PCI | 1 |
| Mini-PCIe | 1 (Full Size) |
| mSATA | 0 |
| PCIe x16 (Gen2) | 0 |
| CFast Card Socket | 0 |
| Memory | |
| Technology | Single Channel DDR3 800/1066 MHz SDRAM |
| Max. | D2550/N2800: 4GB, N2600:2GB |
| Socket | D2550/N2800: 2 x SO-DIMM, N2600: 1 x SO-DIMM |
| Graphics | |
| Controller | Intel® PowerVR SGX545, Support DirectX9 compliant Pixel Shader v3.0 and OGL 3.0 |
| VRAM | Shared Memory |
| VGA | Supports max. resolution 1920 x 1200 |
| LVDS | Dual channel 24-bit, max resolution 1920x1200 |
| HDMI | Supports HDMI 1.3a, max resolution 1920x1200 |
| DVI | No |
| Display Port | No |
| Multi Display | Yes |
| Ethernet | |
| Interface | 10/100/1000 Mbps |
| Controller | GbE LAN: 1 x Realtek RTL8111E-VL |
| Connector | 1 x RJ-45 |
| SATA | |
| Max Data Transfer Rate | SATA2 (3.0Gb/s) |

| Rear I/O | |
|--------------|--------------------------------|
| VGA | 1 |
| HDMI | 1 |
| DVI-I/D | 0 |
| Display Port | 0 |
| Ethernet | 1 |
| USB | 4 (USB 2.0 compliant) |
| Audio | 2 (Mic-in, Line-out) |
| Serial | 1 (RS-232/422/485) + 1 (RS232) |
| PS/2 | 2 (1 x keyboard and 1 x mouse) |

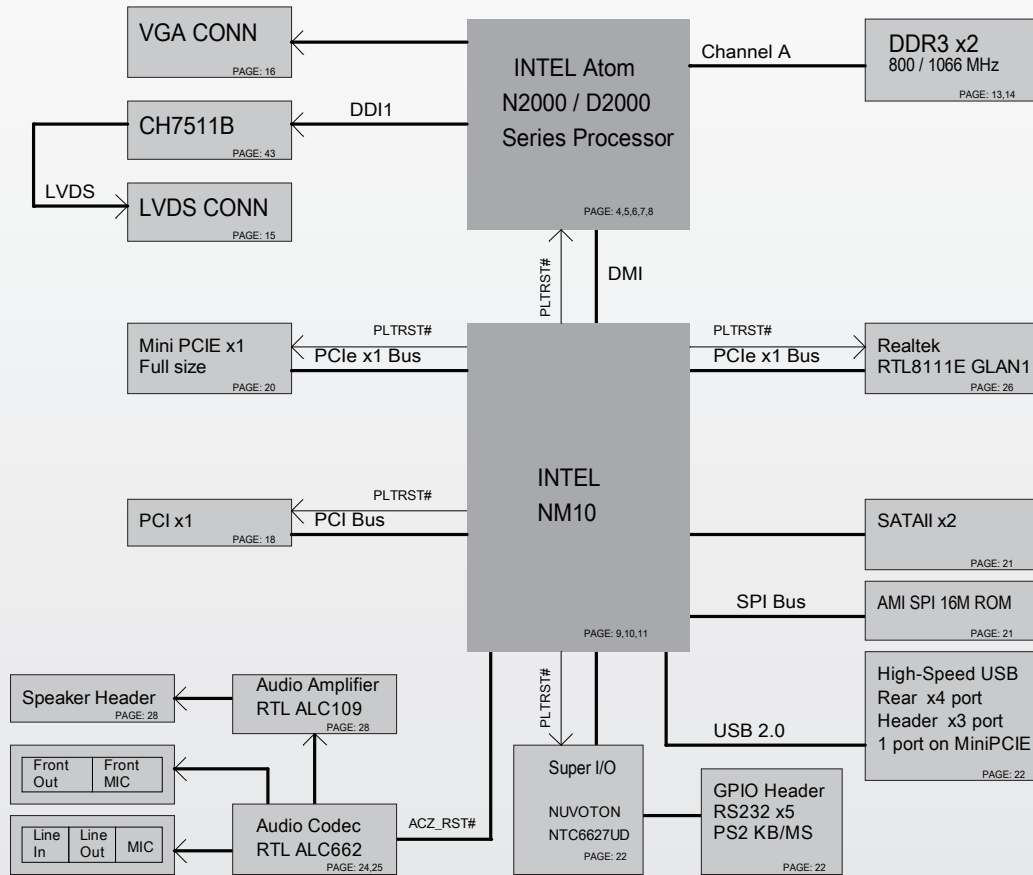
| Internal Connector | |
|---------------------|-----------------------|
| USB | 3 (USB 2.0 compliant) |
| LVDS/Inverter | 1/1 |
| VGA | 0 |
| Serial | 3 (RS-232) |
| SATA | 2 x SATA2 (3.0Gb/s) |
| m-SATA | 0 |
| Mini-PCIe | 1 |
| Parallel | 1 |
| IrDA | 0 |
| GPIO | 4 x GPI + 4 x GPO |
| SATA PWR Output Con | 1 |
| Speaker Header | 1 |

| Watchdog Timer | |
|----------------|----------------------------------|
| Output | From Super I/O to drag RESETCON# |
| Interval | 256 segments, 0,1,2...255sec/min |

| Power Requirements | |
|--------------------|--|
| Input PWR | 12V DC-In (4-pin ATX PWR Con) |
| Power On | AT/ATX Supported AT : Directly PWR on as Power input ready ATX: Press Button to PWR on after Power input ready |

| Environment | |
|-----------------------|------------|
| Operating Temperature | 0°C – 60°C |

Board Diagram



IPC Motherboards Focused Markets

ASRock IMB solutions can be widely used for industrial applications, such as process control, data acquisition, and so on. IMB-PCs are typically panel mounted and often incorporate touch screens for user interaction.

