

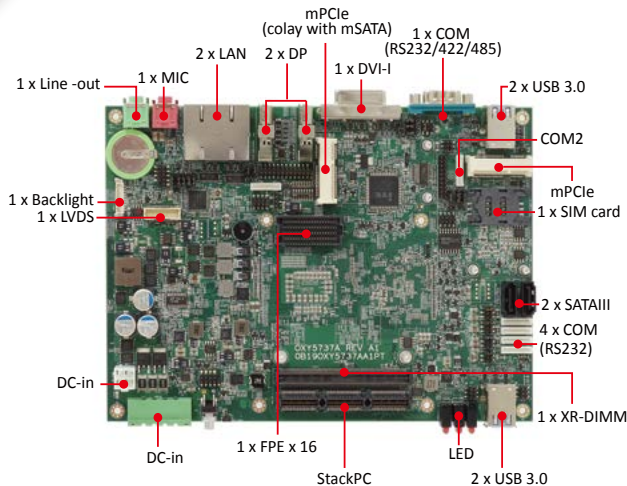
OXY5737A

PERFECTRON

Intel® Haswell QM87 EBX SBC, Core i7/i3 CPU & SSD Soldering Onboard, Stackable with StackPC & FPE Expansion, Extended Temperature -20°C to 70°C (- 40°C to 85°C optional)



it's perfect!



Main Features

- Intel® 4th Generation Haswell Core™ i7/i3 processors on board
- Stackable Expansions : 1 x PCIe_16 (FPE), 4 x PCIe_1 (PCIe/104)
- Swissbit XR-DIMM up to 8 GB RAM
- Onboard nano SATA 3.0 SSD up to 32 GB
- PenMount 6000 Resistive Touch Controller on board
- Multi-Displays by 2 x DP, 1 x DVI-I, 1 x Dual Channel 24-bit LVDS
- 2 x mPCle Expansion slot (One Co-Layout with mSATA)
- 2 x PCIe Intel® Gigabit Ethernet
- 4 x USB 3.0, 2 x USB 2.0, 6 x COM , 2 x SATA III
- +9V~36V DC-in with power delay on/off
- Extended Temperature -20 to 70 °C (-40 to 85°C optional)

► Specifications

System

CPU Type	Intel® Haswell Core™ i7/i3, BGA type Core i7-4700EQ (4C x 2.4/1.7GHz), 6M Cache, (47W/37W) Core i3-4102E (2C x 1.6 GHz), 3M Cache (25W) Celeron 2000E (2C x 2.2 GHz), 2M Cache (37W)
Chipset	Intel® Haswel QM87 PCH
Memory Type	1 x DDR3 1600 Swissbit XR-DIMM up to 8 GB with ECC
BIOS	AMI® UEFI BIOS
Super I/O	ITE8786
Watchdog	1-255 sec. or 1-255 min. software programmable can generate system reset
Expansion Slot	2 x mPCle (1 x SIM card, 1 x colay with mSATA)
Touch	PenMount 6000

Display

Chipset	Integrated GFX in Haswell processor
DVI-I	Yes (Max. resolution 2048 x 1536)
LVDS	Dual channel 24-bit LVDS
Display Type	2 x DP, LVDS, DVI-I (DVI-D+VGA)

Ethernet

Chipset	Intel® I210IT & i217-LM GbE
WOL	Yes
Boot from LAN	Yes for PXE

Power Requirements

Input Voltage	9 to 36 VDC (4-pin terminal block for V+, V+, V-, V-)
Power Consumption	without LVDS output
With No Load on 4 USB ports	4A@9VDC, 45W 1.6A@24VDC, 45W 1.1A@36VDC, 45W
With Full Load on 4 USB Ports	5A@9VDC, 45W 1.875A@24VDC, 45W 1.25A@36VDC, 45W

Audio

Codec	Realtek ALC887 High Definition Audio Codec
-------	--

Rear I/O

DP	2
DVI-I	1
LAN	2 x RJ45
COM	1 x RS232/422/485 with 5V/12V selectable
USB	2 x USB 3.0
Audio	1 x MIC, 1 x Line out
Power Connector	1 (Terminal Block)

Internal I/O

Touch Panel	1 x 4-pin
Front Panel	1 (2 x 5-pin)
Smart Fan	1 x CPU Fan, 1 x System Fan
Power Connector	2 (1 x 4-pin/ 2 x 2-pin)
SATA	2 x SATAIII (6 Gb/s)
USB	2 x USB 2.0 by pin header
COM	5 x COM ports 4 x RS232, 1 x RS232/422/485, all with 5V/12V selectable
LVDS	2 x 15-pin
DIO	2 x 10-pin, 8 in/8 out with isolation
SIM card holder	1

Mechanical and Environment

Form Factor	EBX
Power Type	9V to 36V DC-in, AT/ATX mode supports with power delay on/off
Dimension	203 x 146 mm (5.75" x 8")
Operating Temp.	-20 to 70°C
Storage Temp.	-40 to 85°C
Relative Humidity	10% to 90%, non-condensing

▶ Block Diagram

