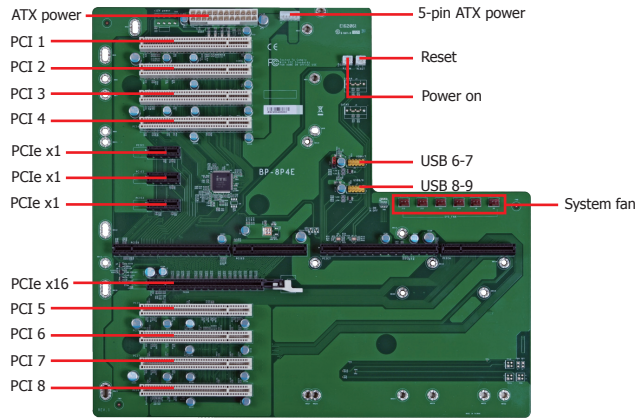




Full Size PICMG 1.3 Backplane

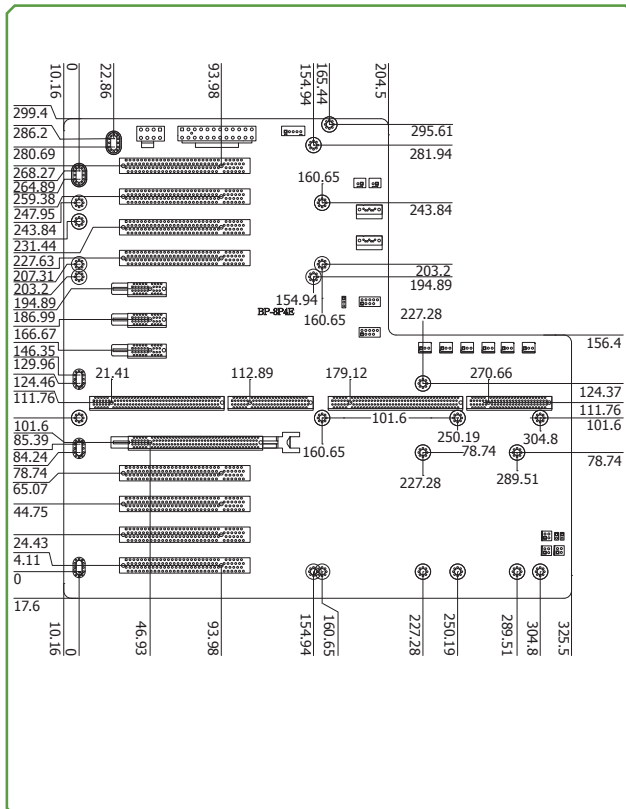
BP-8P4E



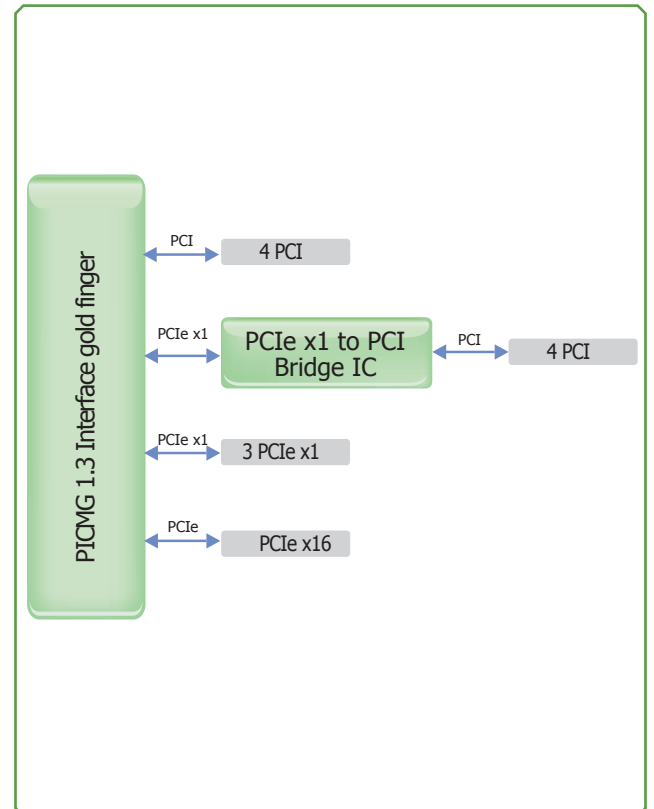
Features

EXPANSION	1 PCIe x16
	3 PCIe x1
	8 PCI
USB	4 USB 2.0

Mechanical Drawing



Block Diagram





► Specifications

EXPANSION INTERFACES

- 1 PCIe x16 slot
- 3 PCIe x1 slots
- 8 PCI slots

POWER

- 1 24-pin ATX power connector
- 1 5-pin power connector

USB

- 2 connectors for 4 external USB 2.0/1.1 ports

SYSTEM FANS

- 6 system fan connectors

POWER/RESET

- 1 power on connector
- 1 reset connector

CHASSIS

- Fits a 4U rackmount chassis